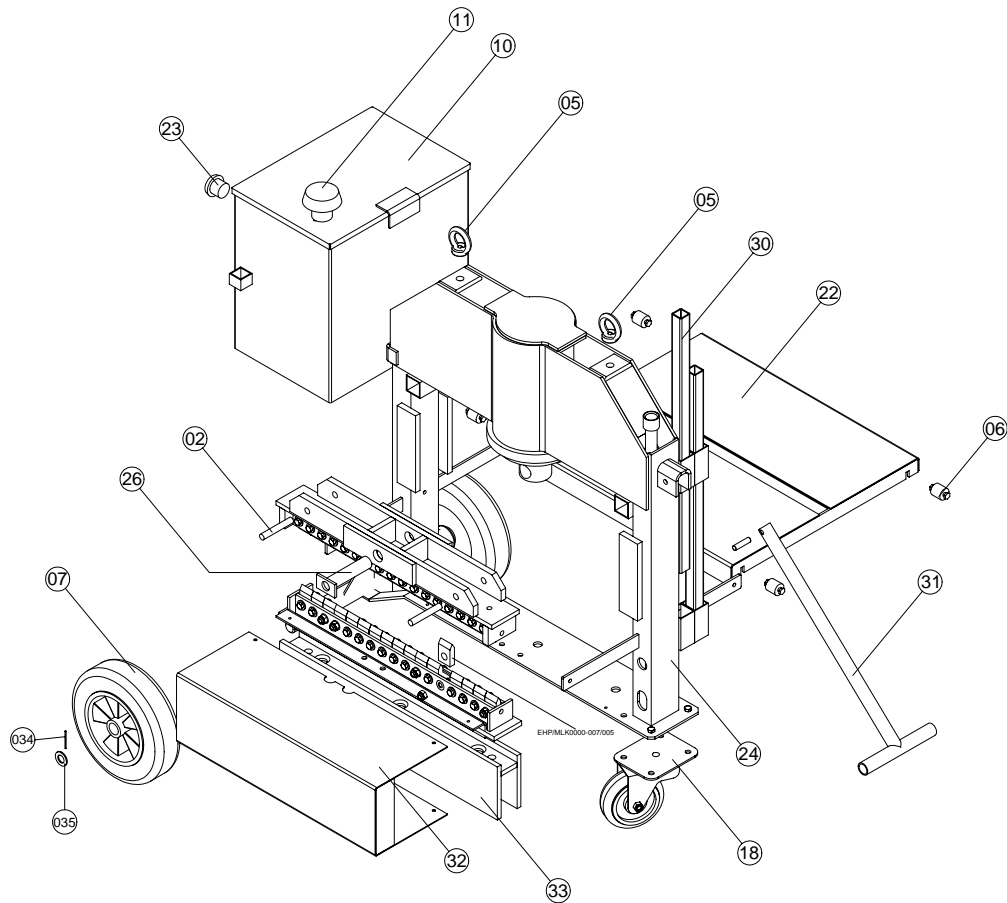


ORIT 4300 EHP (Electric Hydraulic Powered)



Nr.	Spare part	Specification	Ordering number
0	ORIT 4300 EHP		4300 EHP-0000-000
1	Charger	220V/12V charger	4300 EHP-0000-001
2	Pin knife holder		4300 EHP-0000-002
4	Pump and relay switch		4300 EHP-0000-004
5	Hoisting-eye		4300 EHP-0000-005
6	Holding plate rubbers		4300 EHP-0000-006
7	Back-wheel		4300 EHP-0000-007
10	Charger-box	Complete	4300 EHP-0000-010
11	Emergency switch		4300 EHP-0000-011
12	Battery		4300 EHP-0000-012
14	Battery cable red	10 meter	4300 EHP-0000-014
15	Battery cable blue	10 meter	4300 EHP-0000-015
16	Electric wire red	10 meter	4300 EHP-0000-016
17	Electric wire blue	10 meter	4300 EHP-0000-017
18	Front-wheel	Turn + plug	4300 EHP-0000-018
20	Key battery-box		4300 EHP-0000-020
21	Plug box		4300 EHP-0000-021
22	Holding plates		4300 EHP-2009-022
23	Push-button		4300 EHP-0000-023
24	Frame		4300 EHP-2009-024
25	Safety pen		4300 EHP-0000-025
26	Cylinder pen		4300 EHP-0000-026

All rights reserved

Tel: +31 (0) 13-4679128 Fax: +31 (0) 13-4679127 E-mail: info@orit.nl www.orit.nl

27	Spring		4300 EHP-0000-027
28	Stop pen		4300 EHP-0000-028
29	Battery plug		4300 EHP-0000-029
30	Carrying-pole	DIN 59410	4300 EHP-0000-030
31	Steering handle		4300 EHP-2009-031
32	Pump keeper		4300 EHP-2009-032
33	Frame under knife		4300 EHP-0000-033
34	Safety pen universal	DIN 94 4 x 50	3300 SS/TS/MFK/MLK/EHP –0000 – 026
35	Wheel washer universal	DIN 125A M20	3300 SS/TS/MFK/MLK/EHP – 0000 - 027
	Polytan strap		EHP/MLK 0000-008
	Knife	lamella	EHP/MLK 0000-007/005