

# Vakuumllyft WIMAG TURBO M



## Reservdelskatalog

**EPOX Maskin AB**

Postadress

Box 6060

192 06 Sollentuna

Besöksadress

Landsvägen 1

Sollentuna

Telefon

08-754 71 60

e-post

info@epox.se

hemsida

www.epox.se

Version

07/2019



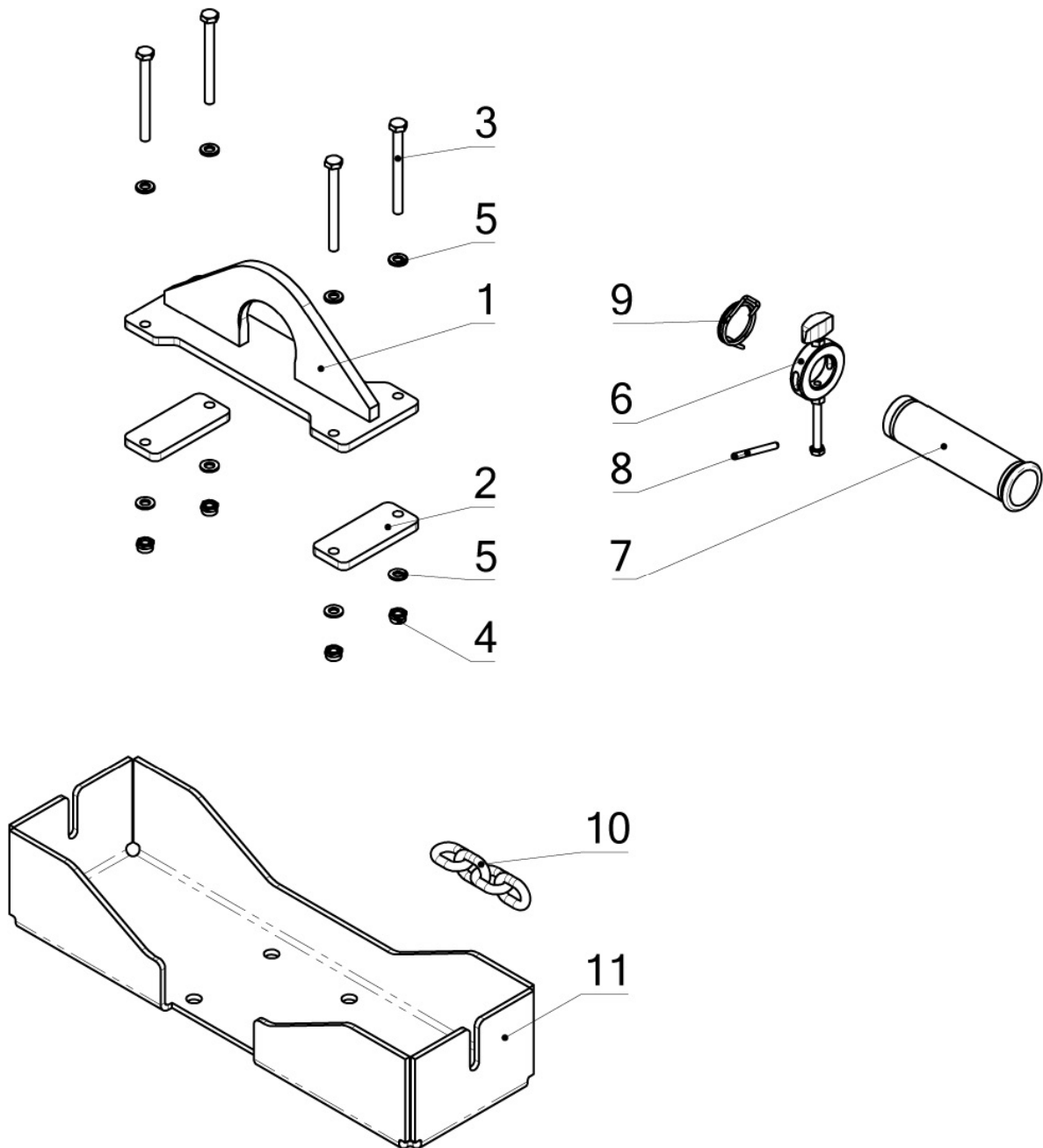
**E 818 SARE PARTS LIST**
**Turbo Levator M-120**

Item no.	Description	Basic device 818 000		
		unit	order- no.	price €/pce.
1	Base plate	1	010 472	
2	Frame	1	010 458	
3	Distance piece	2	010 459	
4	Housing	1	010 655	
5	Side plate	2	010 470	
6	Resting foot	2	010 660	
7	Air outlet	1	010 469	
8	Foot	1	047 983	
9	Countersunk head screw ISO 14581	8	010 682	
10	Flat headed screw ISO 7380-2	19	010 649	
11	Hexagon socket head cap screw	4	050 314	
12	Washer ISO 7090	4	051 503	
13	Hexagon socket countersunk head screw ISO 10642	6	046 498	
14	Washer ISO 7090	11	051 501	
15	Hex nut ISO 4032 –	12	051 001	
16	Hexagon socket countersunk head screw ISO 10642	3	043 953	
17	Contact washer	5	046 337	
18	Contact pin	2	010 659	
19	Spring washer DIN 127	11	051 701	
20	Ring terminal	3	048 383	
21	Hexagon socket head cap screw ISO 4762	8	050 302	
22	L-connection	1	043 483	
23	Hex nut ISO 10511	3	046 338	
24	Zylinder-Schraube ISO 4762	2	049 408	
25	Hexagon socket head cap screw	4	050 154	
26	Hex nut ISO 4032	4	051 032	
27	Washer ISO 7090	4	051 536	
28	Hex nut ISO 10511	4	051 100	
29	Blower filter	2	010 204	
30	Cable fitting	2	049 907	
31	Cable fitting bend protection 5	1	048 949	
32	On/Off switch	1	049 463	
33	Manometer	1	049 688	
34	Toggle clamp	2	010 061	
35	Power cable 5 m	1	048 948	
36	T-piece (height adjustment)	1	047 988	
37	Handle bar	2	047 189	
38	Socket pin	3	041 254	
39	Handle cover	4	056 021	



## E 818 SPARE PARTS LIST

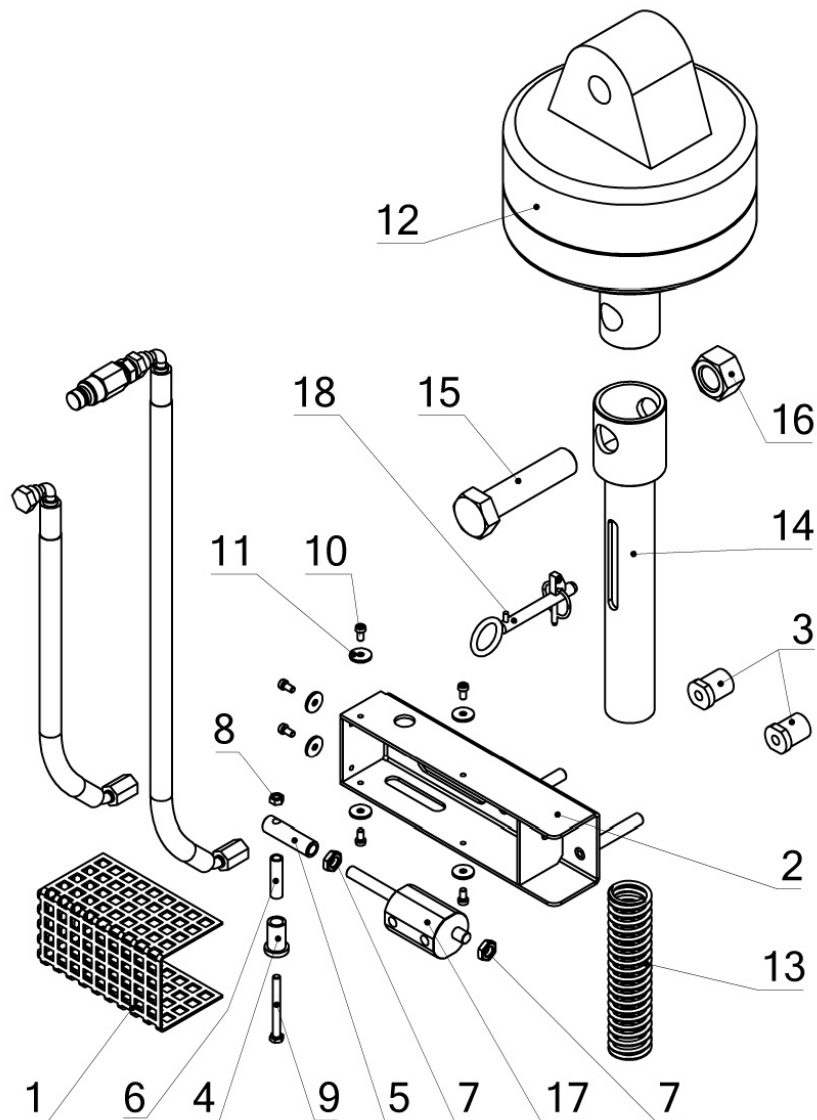
## Turbo Levator M-120



Item no.	Description	Hoisting-Module 818 001		
		unit	order- no.	price €/pce.
1	suspension	1	049 783	
2	shim	2	049 781	
3	Hexagon head screw ISO 4014	4	050 006	
4	Hex nut ISO 10511	4	051 100	
5	WasherSO 7090	8	051 536	
6	Locking lever – Turbo Levator M-120	1	010 868	
7	Handle cover	1	010 104	
8	Dowel pin ISO 8750	1	051 402	
9	Spring - Turbo Levator M 120	1	049 948	
10	Safety chain	1	010 869	
11	Chain case – Turbo Levator M 120	1	049 947	

## E 818 SPARE PARTS LIST

## Turbo Levator M-120



Item no.	Description	Hydraulic-Module 818 002		
		unit	order-no.	price €/pce.
1	Guard	1	010 891	
2	Housing	1	010 892	
3	nut	2	010 895	
4	Sliding bushing	1	010 896	
5	Adaptor	1	010 897	
6	Bushing	1	010 889	
7	Hex nut ISO 8675	2	051 002	
8	Hex nut ISO 4032	1	051 032	
9	Hexagon head screw ISO 4014	1	050 005	
10	Hexagon socket head cap screw ISO 1207	6	050 295	
11	Washer ISO 7094	6	010 864	
12	Rotator	1	134 700	
13	Pressure spring	1	010 083	
14	Adaptor for rotator	1	010 860	
15	Hexagon head screw ISO 4014	1	050 091	
16	Hex nut ISO 4032	1	051 012	
17	Hydraulic cylinder	1	010 862	
18	Socket pin	1	041 254	